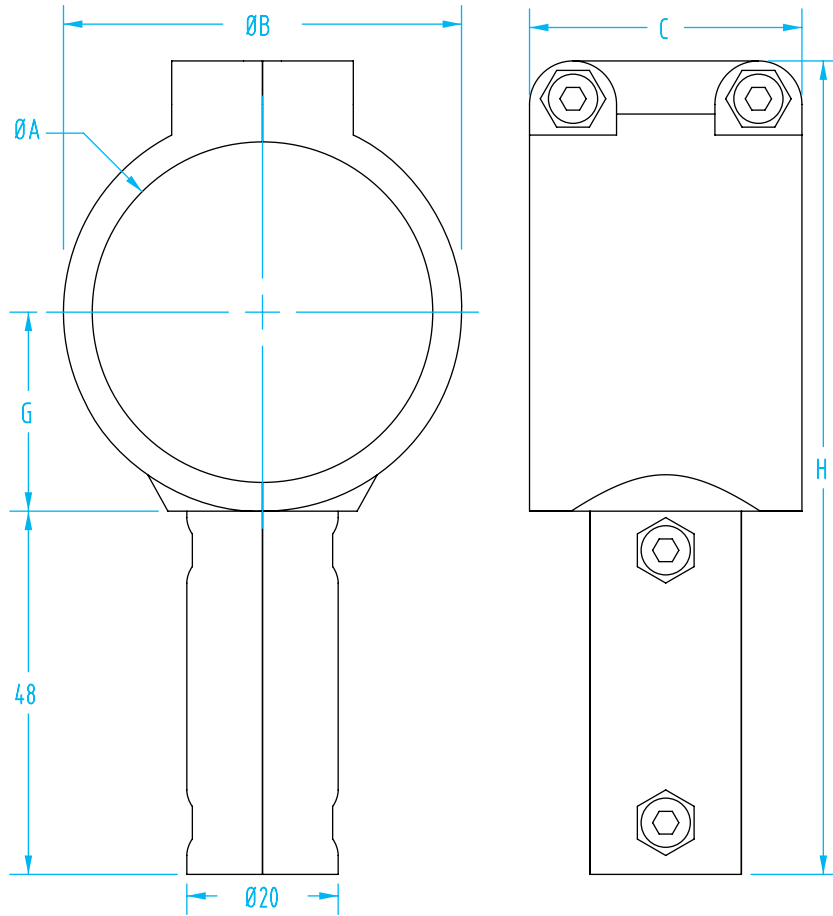


Nipper Mounting Brackets



These nipper mounting clamps are made of glass-filled nylon. They are very strong, yet lightweight and economical. Their Ø20mm stud make them compatible with many profile mounting clamps.

| Quick# | Part# | Price | Use with Nipper | ØA | B | C | G | H | Wt. |
|--------|---------|--------|-----------------|----|------|----|------|-------|-----|
| 6382 | MFP-A08 | \$6.00 | size 05 bodies | 30 | 36 | 30 | 18 | 90 | 48g |
| 6379 | MFP-A05 | \$6.50 | size 10 bodies | 36 | 43 | 32 | 21.5 | 96.5 | 54g |
| 6380 | MFP-A06 | \$9.00 | size 20 bodies | 45 | 52.6 | 36 | 26.3 | 107.5 | 65g |
| 6381 | MFP-A07 | \$9.80 | size 30 bodies | 56 | 64 | 40 | 32 | 118.5 | 82g |

Made of GRP. Includes fasteners.

Application Examples

