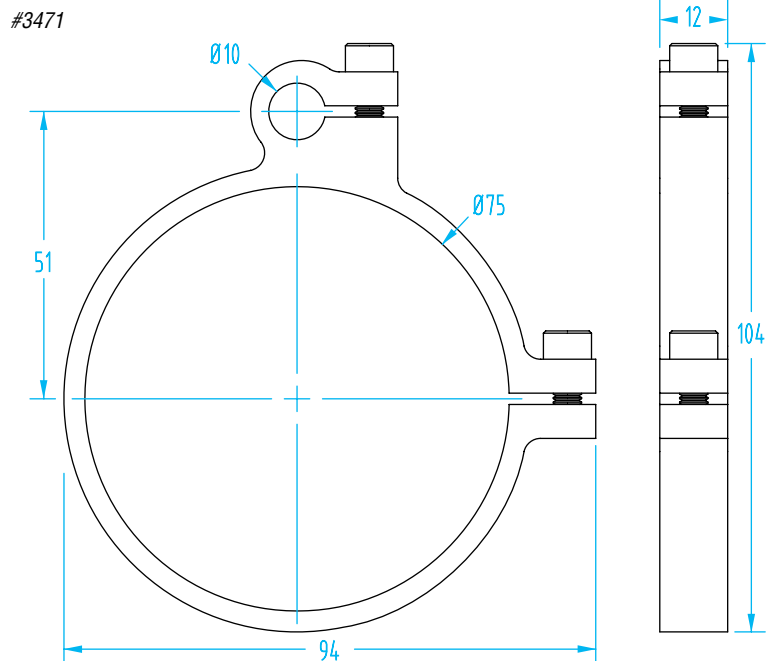
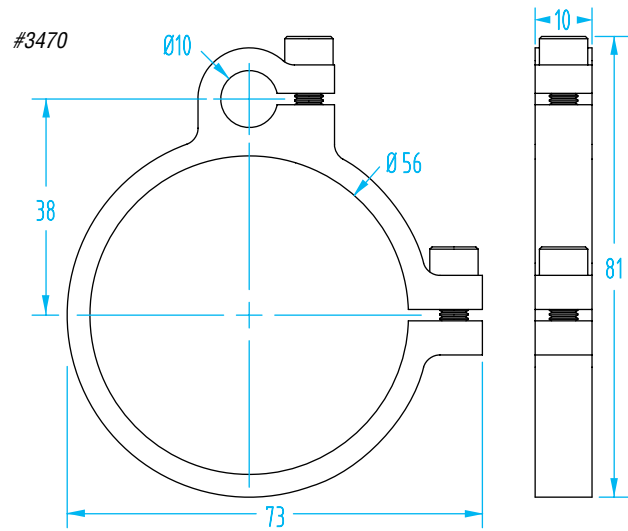
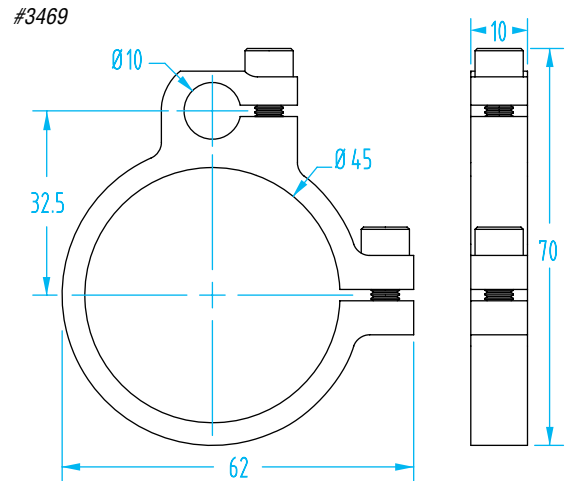


Nipper Mounting Clamps

(Dimensioned drawings shown 3/4 scale)



Nipper / Gripper Combination Clamp

Quick#	Part#	>ASS< #	Use with Nipper	Price	Wt.
3469	ASZ-KA20	1-640-13-00	size 20 bodies	\$64.50	32g
3470	ASZ-KA30	1-640-16-00	size 30 bodies	\$82.00	36g
3471	ASZ-KA50	1-640-19-00	size 50 bodies	\$88.00	42g

