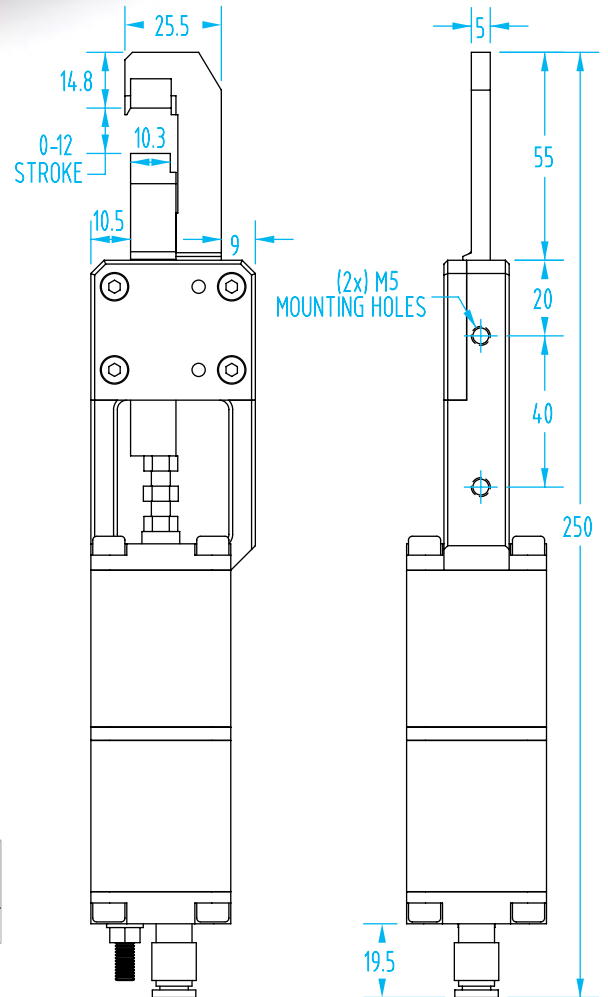


Compact Thrust-Cut Nippers

(Dimensioned drawing shown half scale)



- Small, lightweight, and compact.
- Can cut fan gates as wide as 10mm.
- Adjustable blade stroke 0–12mm.
- Includes 6mm fitting.
- Pre-tapped mounting holes for easy installation.



Vessel Thrust-Cut Nippers

Quick#	Part#	Price	Wt	Working Air Pressure	Cutting Cap Ø ABS	Stroke (mm)
2329	GT-NK10	\$1,114.00	800g	57–71 psi	5	12 max

Replacement Thrust-Cut Nipper Blade

Quick#	Part#	Nipper Model	Width (Max. Fan Gate Width)	Price
2330	NK10AJ	GT-NK10	10	\$396.00