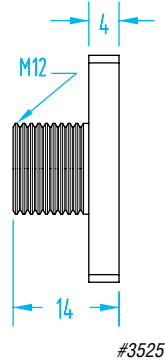
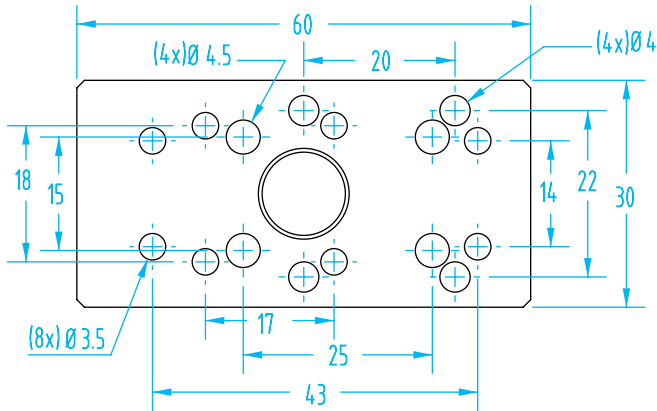
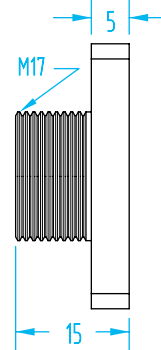
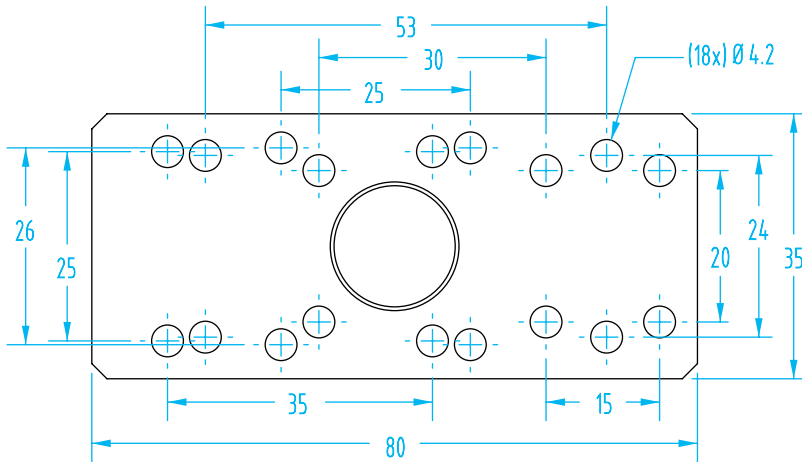


NF, NY, & NT Mounting Brackets

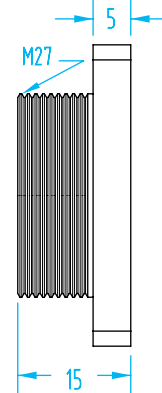
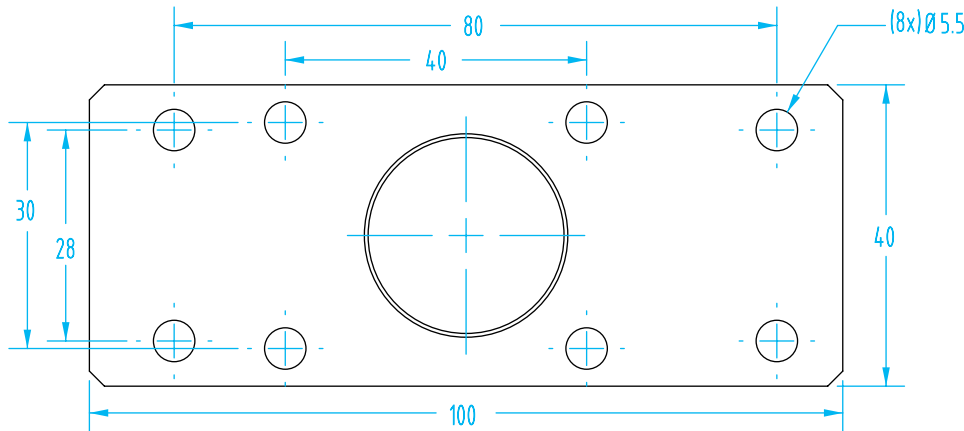
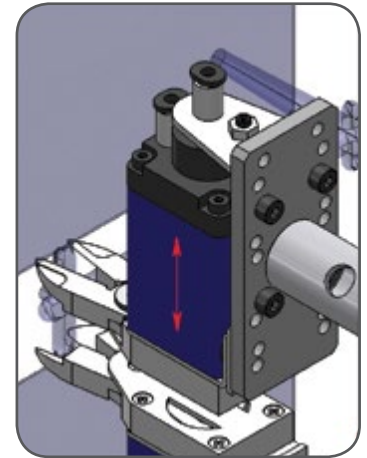
(Dimensioned drawings shown full scale)



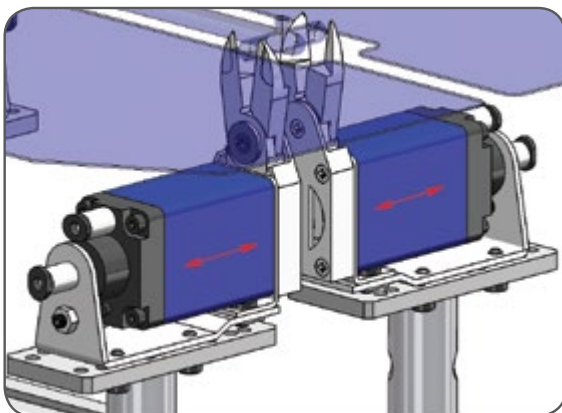
#3525



#3526



#3527



Mounting Plates

Quick#	Part#	Price	Use With
3525	ASZ-HP-10	\$32.00	NY05-4, NT03-4, NF05, NF10
3526	ASZ-HP-20	\$34.00	NT05-4, NT10-6, NY10-4, NY15-4, NY15
3527	ASZ-HP-30	\$36.00	NT20-6, NY25-6

Order mounting screws separately. See page 1071.

Extension Tubes available on page 212 and 173.