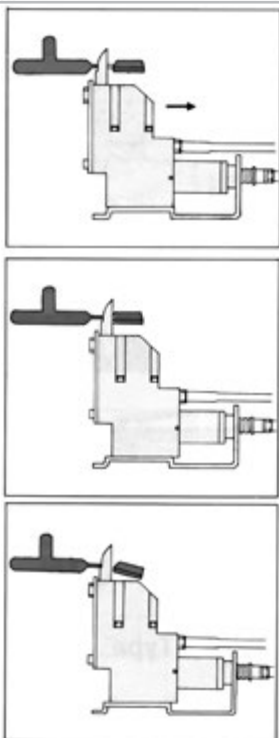


ME – Sliding Stroke Nippers

ME Nippers - Sliding Type (Order blades separately)

Quick#	Part#	Max. Cutting Cap. Ø	Slide Action	Stroke	Weight	Air Pressure	Price
1575	GSN-ME-3	1.0mm	Pull	3mm	170g	57–71 psi	\$249.00
1576	GSN-ME-5	1.2mm	Pull	3mm	290g	57–71 psi	\$253.00
1577	GSN-ME-10	2.5mm	Pull	3mm	540g	57–71 psi	\$289.00
1578	GSN-ME-20	4.5mm	Pull	5mm	810g	71–85 psi	\$329.00
1579	GSN-ME-30	6.0mm	Pull	5mm	1500g	71–85 psi	\$543.00

*Note: Timing controller #636 is recommended for use with ME-pull nippers, see page 925.



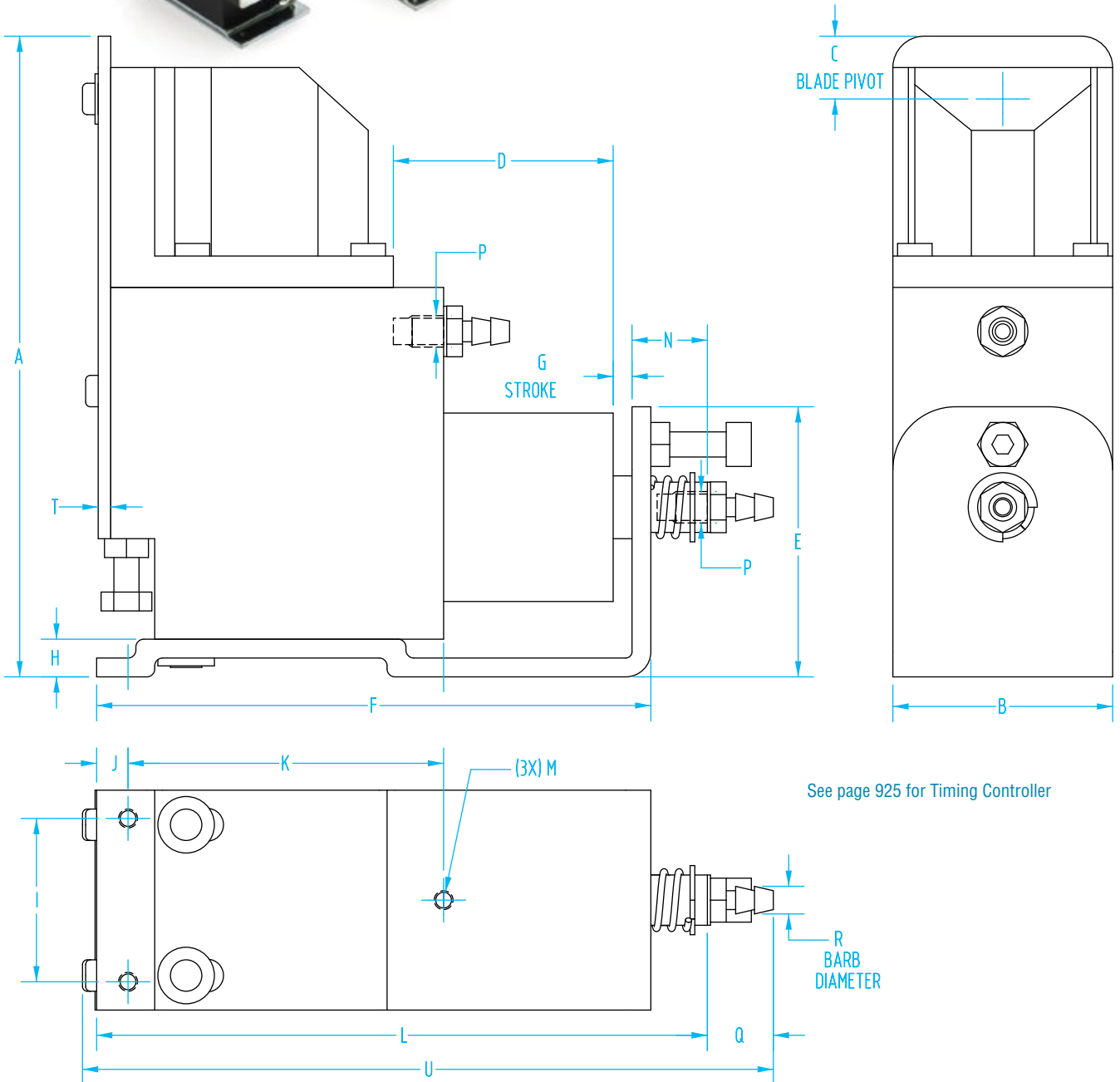
Compressed air is supplied to two ports, allowing for independent control over the sliding stroke and the cutting operations. This allows for multiple cut actions for harder to cut sprues.

Compressed air is applied to activate the pull-sliding stroke. Spring action returns the sliding body to its normal position.

Order Blades Separately
See page 948



ME – Sliding Stroke Nippers



ME Nipper - Dimensions

Quick#	Part#	A	B	C	D	E	F	G	H	I	J	K	L	M	N	P	Q	R	T	U
1575	GSN-ME-3	77	20	8	33	34	72.5	3	6	14	2.5	51	81.5	M3x0.5	12	M5x0.8	10.5	4.4	2	92
1576	GSN-ME-5	77	29	9	30	32	76.5	3	6	22	4	49.5	85.5	M3x0.5	12	M5x0.8	10.5	4.4	2	98
1577	GSN-ME-10	102	35	10	35	43	88.3	3	6	26	5	50.3	97.3	M3x0.5	12	M5x0.8	10.5	4.4	2	110
1578	GSN-ME-20	116	44	13	37	48	105	3	6	34	5	88	114	M3x0.5	12	M5x0.8	10.5	4.4	2	126
1579	GSN-ME-30	149	56	15	46	65	128	3	6	44	8	85	137	M3x0.5	12	M5x0.8	10.5	4.4	3	151