

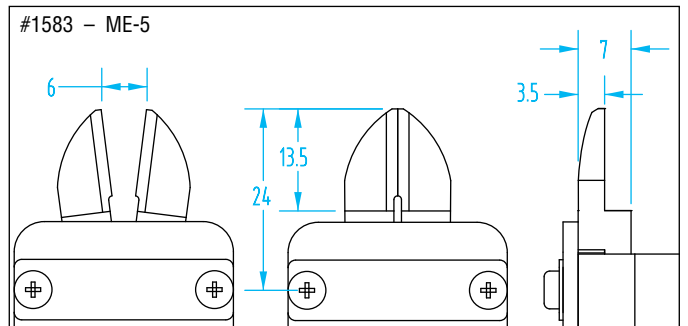
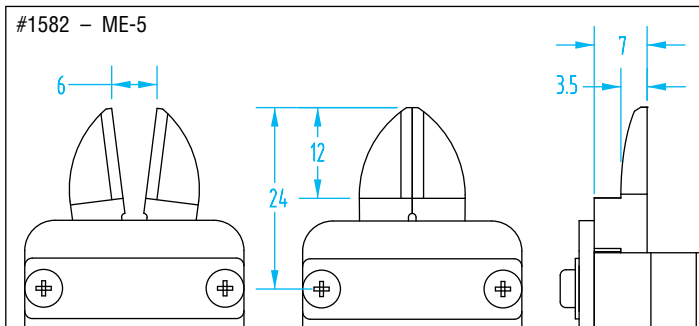
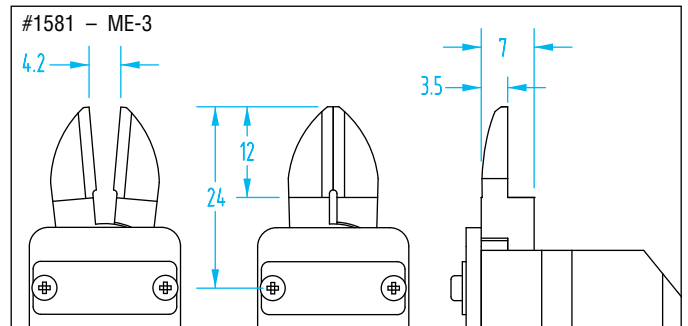
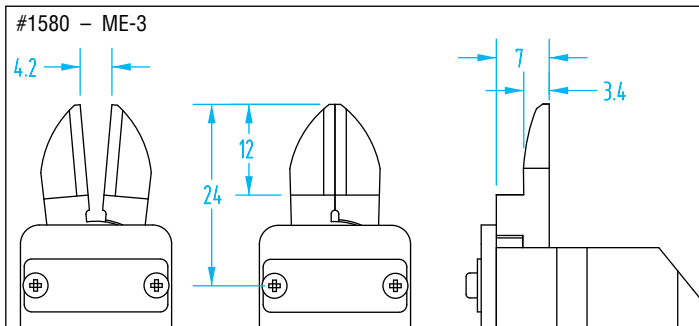
ME – Blades

Standard Blades

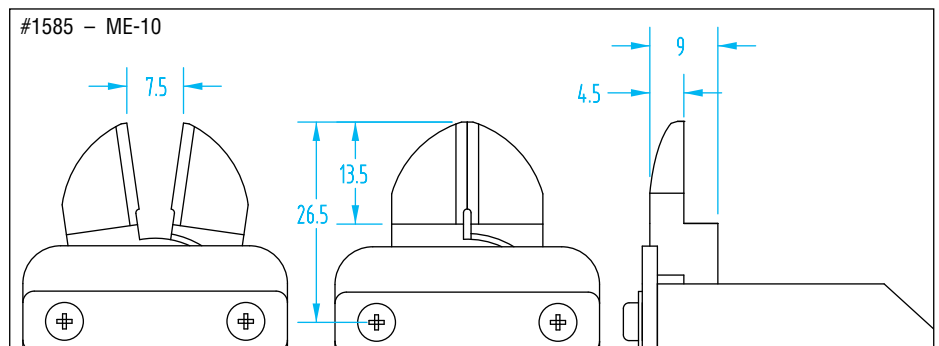
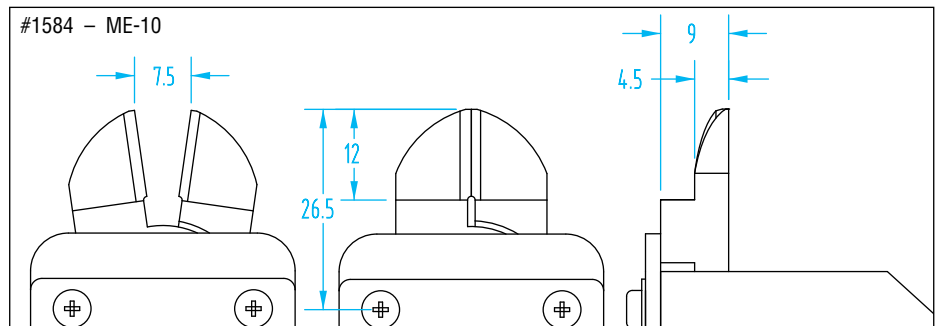


Blades for ME nippers

Quick#	Part#	Nipper body	Blade style	Price
1580	GSN-F10E	ME-3	Standard	\$83.00
1581	GSN-F10EK		Offset	\$83.00
1582	GSN-F1E	ME-5	Standard	\$83.00
1583	GSN-F1EK		Offset	\$83.00
1584	GSN-F3E	ME-10	Standard	\$83.00
1585	GSN-F3EK		Offset	\$83.00
1586	GSN-F5E	ME-20	Standard	\$96.00
1587	GSN-F5EK		Offset	\$96.00
1588	GSN-F9E	ME-30	Standard	\$133.00
1589	GSN-F9EK		Offset	\$163.00



Each of these blades may be installed in the nippers either standard or reversed. This gives you four blade configurations from the two styles of blades. Note, the F_E, and F_EK blades are for use only with ME-style nippers.



ME – Blades

