

# Two-Piece Nozzle Order/Quote Form

Fax: 216-535-4823

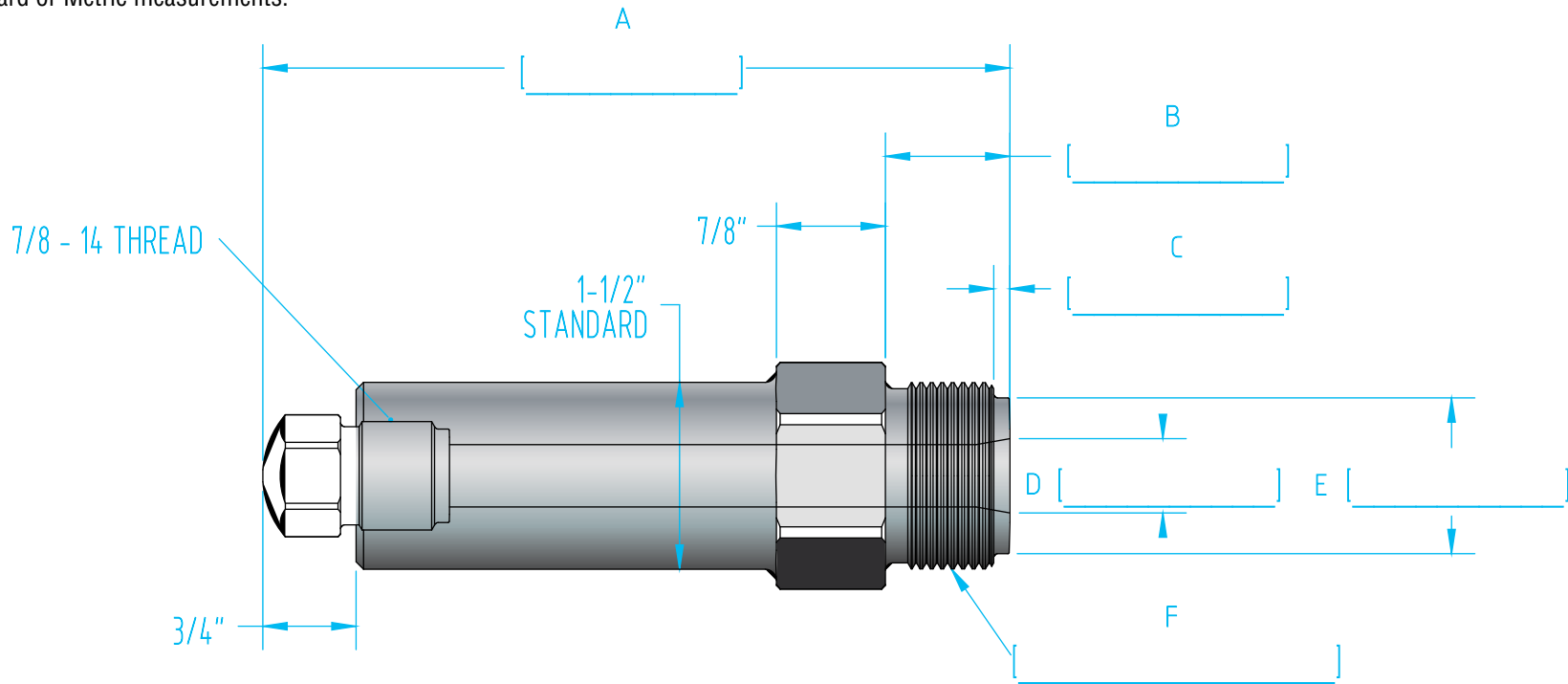
**Check all that apply:**

Standard Design  
 Nylon/ Reverse Taper  
 ABS / Full Taper

Internally Heated Nozzle  
 Linear Filter  
 Linear Mixer

Thermocouple Holes (qty \_\_\_\_\_)  
 Tap Size: \_\_\_\_\_  
 Special Steel Consideration:  
 \_\_\_\_\_

Use Standard or Metric measurements.



Machine Make: \_\_\_\_\_  
 Tonnage: \_\_\_\_\_  
 Oz. Capacity: \_\_\_\_\_  
 Serial #: \_\_\_\_\_

Company: \_\_\_\_\_  
 Name: \_\_\_\_\_  
 Telephone: \_\_\_\_\_  
 Fax: \_\_\_\_\_

Date: \_\_\_\_\_ Quote Order

Email: \_\_\_\_\_