

# Custom Drawer Magnet Order Form

Submit one form for each drawer magnet.

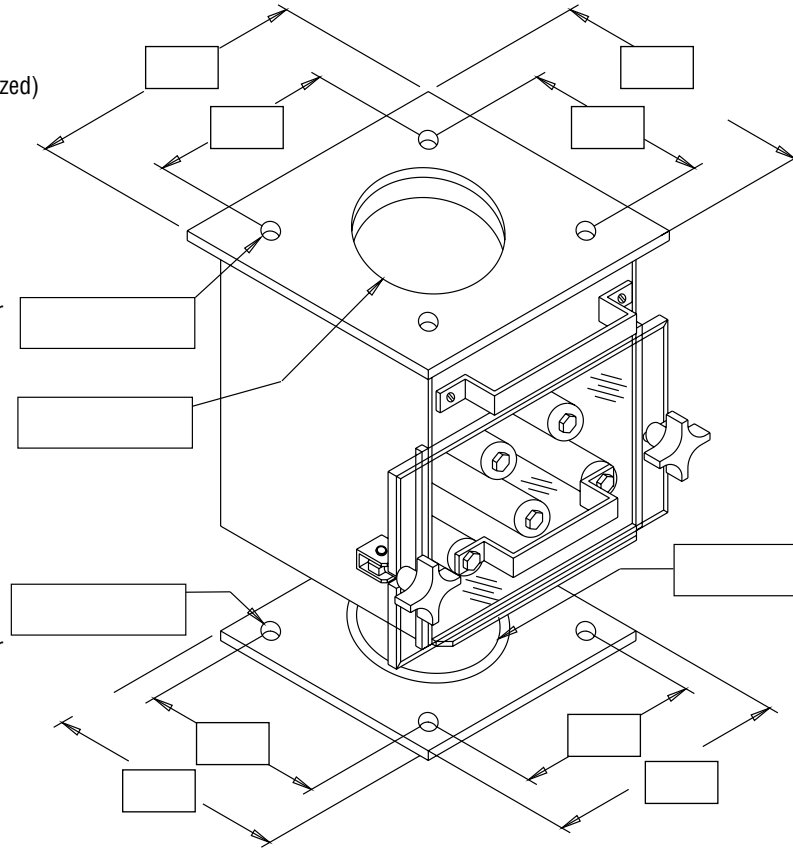
Standard Top and Bottom Flange Dimensions:

DM-4: 5" x 5"

DM-6: 7" x 7"

DM-8: 9" x 9"

(These can be customized)



Specify Type and Size:

- Threaded Spec
- Clearance Hole Diameter
- Thru Hole Diameter

Material Hopper Throat Diameter:

Inside Diameter:

DM4: Max=2" / Min=7/8"

DM6: Max=4 1/2" / Min=1 7/8"

DM8: Max=6" / Min=4"

Specify Type and Size:

- Threaded Spec
- Clearance Hole Diameter
- Thru Hole Diameter

Machine Feed Throat Diameter:

Inside Diameter:

DM4: Max=2" / Min=7/8"

DM6: Max=3 7/8" / Min=1 7/8"

DM8: Max=6" / Min=4"

**Note:** Top and bottom flanges can be different sizes and have different drill holes. Thickness = 1/4"

Options:

- Purge Hopper (Specify Location)
- Tapped, Liquid Dispensing Unit  
(Specify Tap Size: \_\_\_\_\_)
- Discharge Dump Tube (Specify Location)

Construction:

- Stainless Steel
- Painted Steel

Drawer Magnet Model: \_\_\_\_\_

Company: \_\_\_\_\_

Machine Make: \_\_\_\_\_

Name: \_\_\_\_\_

Oz. Size / Tonnage: \_\_\_\_\_

Email: \_\_\_\_\_

Machine #: \_\_\_\_\_

Telephone: \_\_\_\_\_

Email completed form to: [Sales@EMICorp.com](mailto:Sales@EMICorp.com)