

Two-Piece Nozzle Order / Quote Form

Check all that apply:

Standard Design

Internally Heated Nozzle

Thermocouple Holes (qty____)

Nylon/ Reverse Taper

Linear Filter

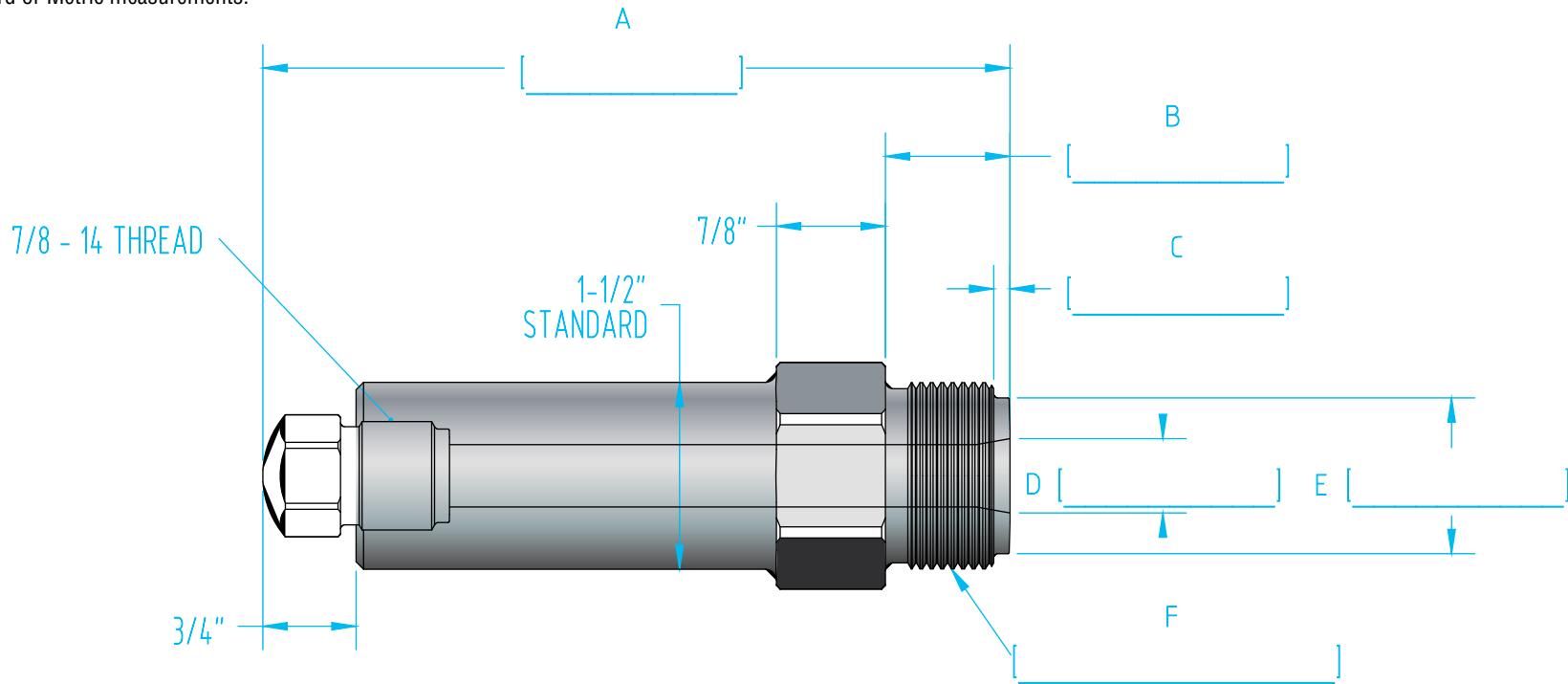
Tap Size: _____

ABS / Full Taper

Linear Mixer

Special Steel Consideration: _____

Use Standard or Metric measurements.



Machine Make: _____

Company: _____

Tonnage: _____

Name: _____

Oz. Capacity: _____

Phone: _____

Serial #: _____

Email: _____

Date: _____

Quote Order